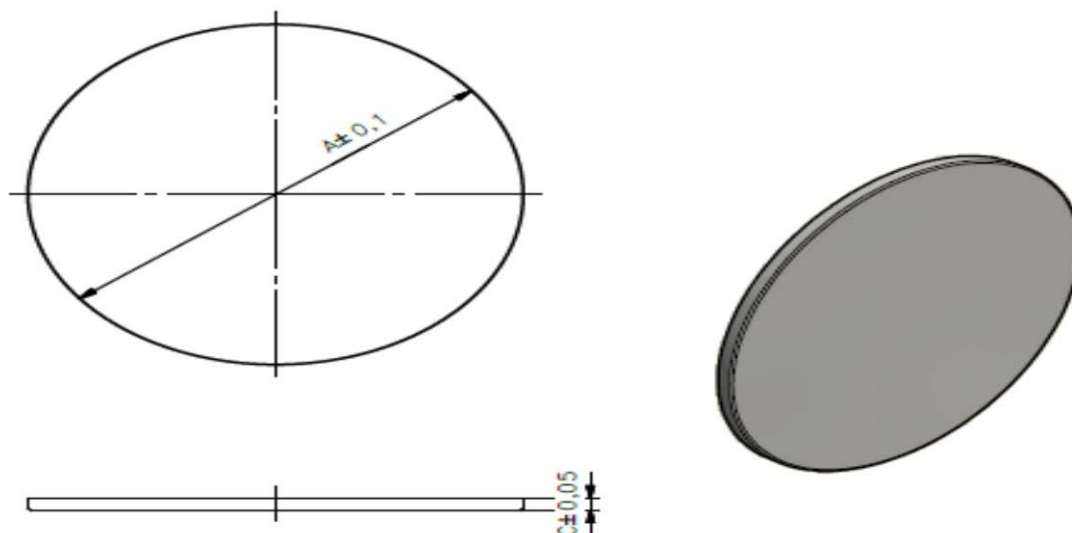


LISTA ORODIJ - RONDELE

Rondele brez nosov

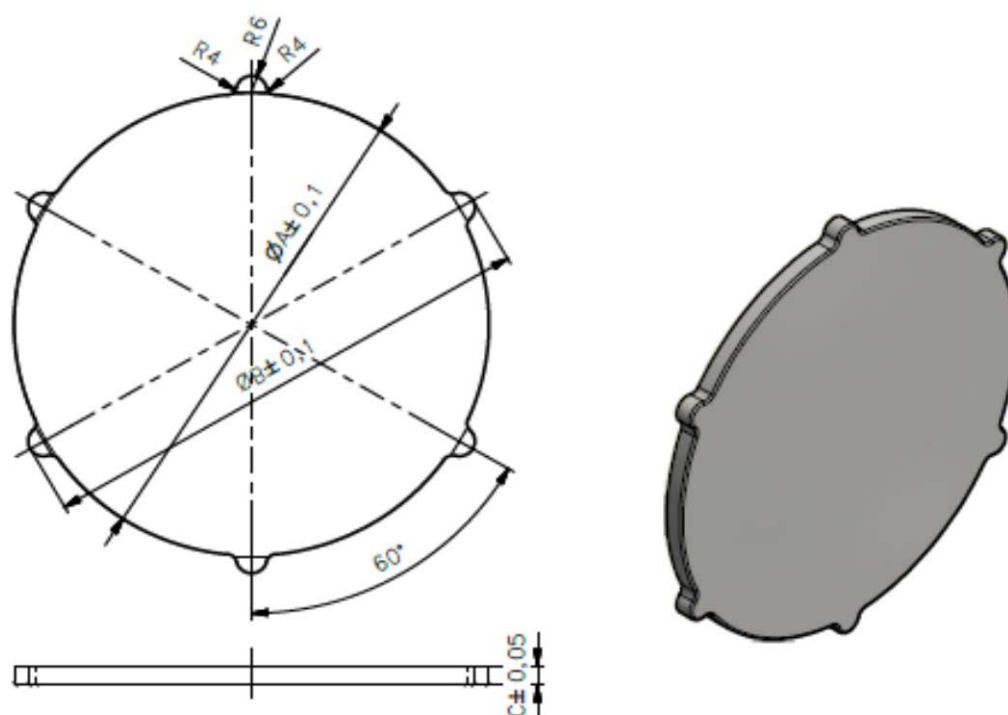
01.12.2017



Premer (mm)	Minimalna debelina (mm)	Maksimalna debelina (mm)	Številka artikla
100	3,0	7,0	288
104	4,0	7,0	289
105	4,0	8,0	392
110	3,0	7,0	291
115	3,0	6,0	293
115,7	9,5	11,0	531
118	3,0	7,0	294
118,9	4,0	7,0	399
119,7	3,0	7,0	295
120	3,0	6,0	296
122	4,0	7,0	298
124	3,0	5,0	301
125	3,0	7,0	302
130	2,0	6,0	305
132	3,0	7,0	306
135	2,0	6,0	307
138	4,0	6,0	409
140	2,0	6,0	308
142	4,0	6,0	309
143	4,0	6,0	310
143,9	4,0	8,0	397
145	4,0	6,0	311
146	4,0	6,0	312
146,5	4,0	6,0	313

Premer (mm)		Maksimalna debelina (mm)	Številka artikla
148	4,0	6,0	314
150	2,0	6,0	315
155	3,0	6,0	317
156	3,0	6,0	319
157	3,0	6,0	320
158	4,0	7,0	408
160	3,0	6,0	321
161	4,0	6,0	322
165	4,0	7,0	325
168	4,0	7,0	326
170	2,0	6,0	327
174,6	4,0	7,0	328
175	2,0	6,0	329
178	4,0	7,0	332
178,9	4,0	8,0	398
180	2,0	6,0	334
181	4,0	7,0	335
183	4,0	7,0	336
184	4,0	7,0	337
185	4,0	7,0	338
186	4,0	7,0	340
188	4,0	7,0	342
190	3,0	6,0	343
191	4,0	7,0	344
194,6	4,0	6,0	376
195	4,0	7,0	346
197	4,0	8,0	347
200	2,0	6,0	348
201	4,0	7,0	349
203	4,0	7,0	350
204	4,0	8,0	353
205	2,0	4,0	354
210	4,0	8,0	355
214,6	6,0	10,0	381
215	2,0	6,0	357
217	4,0	8,0	406
218	4,0	8,0	359
219	4,0	6,0	361
220	4,0	6,0	362
221	4,0	8,0	363
225	4,0	8,0	365

Rondele z nosovi



Premer (mm)	Minimalna debelina (mm)	Maksimalna debelina (mm)	Številka artikla	Oblika
103	4,0	8,0	468	6R6R4
109,5	4,0	8,0	456	3R6R6
120	5,0	10,0	297	4R6R0
123	5,0	10,0	300	3R6R5
123	4,0	8,0	369	6R6R4
128	4,0	7,5	533	B1,5
130	4,0	8,0	419	3R4R5
130	4,0	8,0	455	3R6R6
143	4,0	11,0	400	6R6R4
149	4,0	8,0	417	3R4R5
155	5,0	10,0	318	4R5R0
163	5	10	324	3R6R5
163	4,0	8,0	379	6R6R4
169	4,0	8,0	418	3R4R5
170	6,0	10,0	454	3R6R6
178	4,0	7,0	333	3R6R0
179	4,0	8,0	422	3R4R5

Premer (mm)	Minimalna debelina (mm)	Maksimalna debelina (mm)	Številka artikla	Oblika
183	4,0	8,0	389	6R6R4
185	5,0	10,0	339	4R5R0
189	4,0	8,0	423	3R4R5
194	4,0	10,0	420	3R4R5
203	4,0	8,0	352	3R6R5
203	4,0	8,0	371	6R6R4
203,7	6,0	11,0	453	6R6R6
205	4,0	6,0	522	V6
214,3	4,0	8,0	405	3R6R10
215	4,0	8,0	426	3R4R8
218	6,0	10,0	360	3R6R5
223	4,0	8,0	469	6R7R4

Tolerance

Element	Vrednost z toleranco
Premer	D > 100 ≤ 225 mm ± 0,10 mm
Premer preko nosu	B > 100 ≤ 230 mm ± 0,10 mm D > 100 ≤ 225 mm ± 0,10 mm
Debelina	> 2,0 ≤ 6,5 mm ± 0.05 mm > 6,6 ≤ 8,5 mm ± 0,07 mm > 8,6 ≤ 10,5 mm ± 0,10 mm